



[click to enlarge](#)



[click to enlarge](#)

[Schematic](#) | [Abbreviations & Terms](#)



[Find this Yarn](#) 

UPDATED
3/8/12



Sweet details like a ruched front panel and ruffled sleeves give this little dress irresistible style.



[PDF Pattern Instructions](#)

(If you can't open this PDF file you need Adobe Acrobat Reader. Get it [here](#).)

Shown in size 4

SIZES

Directions are for girl's size 2. Changes for sizes 4 and 6 are in parentheses

FINISHED MEASUREMENTS

Chest – 24(26-28)''

Length – 17(18-19)''

MATERIALS

3(4-4-5) Balls **BERROCO COMFORT DK** (50 grs), #2733 Turquoise
Straight knitting needles, size 5 (3.75 mm) OR SIZE TO OBTAIN GAUGE
Crochet hook, size 3.50 mm (E)
2 St markers

GAUGE

24 sts = 4"; 34 rows = 4" in St st

Yoke Pat = 4" across x 2½" high

TO SAVE TIME, TAKE TIME TO CHECK GAUGE

YOKE PATTERN (Start with 51 sts, end with 17 sts)

Row 1 (RS): * K3 tog, rep from * across – 17 sts.

Row 2: K17.

Row 3: P17.

Row 4: * K in front, back and front of next st, rep from * across – 51 sts.

Rows 5 and 7: Knit.

Rows 6 and 8: Purl. Rep Rows 1 – 8 once more, then rep Rows 1 – 3. Knit 1 row, end on WS – 17 sts.

BACK

Cast on 127(135-143) sts.

Ribbing: Row 1 (RS): K1, * p1, k1, rep from * across.

Row 2: P1, * k1, p1, rep from * across. Rep these 2 rows until piece measures 1" from beg, end on RS. P the next row, dec 26(28-30) sts across – 101(107-113) sts. Work even in St st until piece measures 12(12½-13)" from beg, end on WS.

Shape Armholes: Bind off 6 sts at beg of the next 2 rows – 89(95-101) sts. Dec 1 st each side EVERY row 5 times – 79(85-91) sts. Work even if necessary until armholes measure ¾(1¼-1¾)", end on WS.

Dec Row (RS): Knit, dec 36(34-30) sts across – 43(51-61) sts. Knit 1 row, purl 2 rows, end on WS. Work even in St st until armholes measure 5(5½- 6)", end on WS. Bind off. Measure in 1(1½-2)" from each side on bound-off edge and mark for shoulders and back neck.

FRONT

Work same as back until piece measures **12(12½-13)"** from beg, end on WS – 101(107-113) sts.

Shape Armholes: Bind off 6 sts at beg of the next 2 rows – 89(95-101) sts. Dec 1 st each side EVERY row 5(5-3) times, then work even until armholes measure ¾(1¼-1¾)", end on RS – 79(85-95) sts. P the next row, dec 2(0-0) sts as evenly spaced across as possible – 77(85-95) sts.

Establish Yoke Pat: Row 1 (RS): K13(17-22), place marker, work Row 1 of Yoke Pat over 51 sts, place marker, k to end – 43(51-61) sts.

Row 2: P to first marker, work Row 2 of Yoke Pat to last marker, p to end. Work even in pat as established until 20 rows of Yoke Pat have been completed, end on WS – 43(51-61) sts. Work even in St st, dropping markers, until armholes measure 3½(4-4½)", end on WS.

Shape Neck: Next Row (RS): K9(13-18), join another ball of yarn and bind off center 25 sts, k to end. Working both sides at once, dec 1 st at each neck edge every RS row 4 times. Work even until armholes measure 5(5½-6)", end on WS. Bind off 5(9-14) sts each side for shoulders.

SLEEVES

Cast on 93(96-99) sts. Work even in St st for 4 rows, end on WS, dec 10(9-8) sts as evenly spaced as possible across last row – 83(87-91) sts.

Establish Pat St: Row 1 (RS): K16(18-20), place marker, work Row 1 of Yoke Pat over 51 sts, place marker, k to end – 49(53-57) sts.

Row 2: P to first marker, work Row 2 of Yoke Pat to last marker, p to end. Work even in pat as established for 10 rows more, end on Row 4 of Yoke Pat – 83(87-91) sts. Work even in St st on all sts, dropping markers, until piece measures 2½" from beg, end on WS.

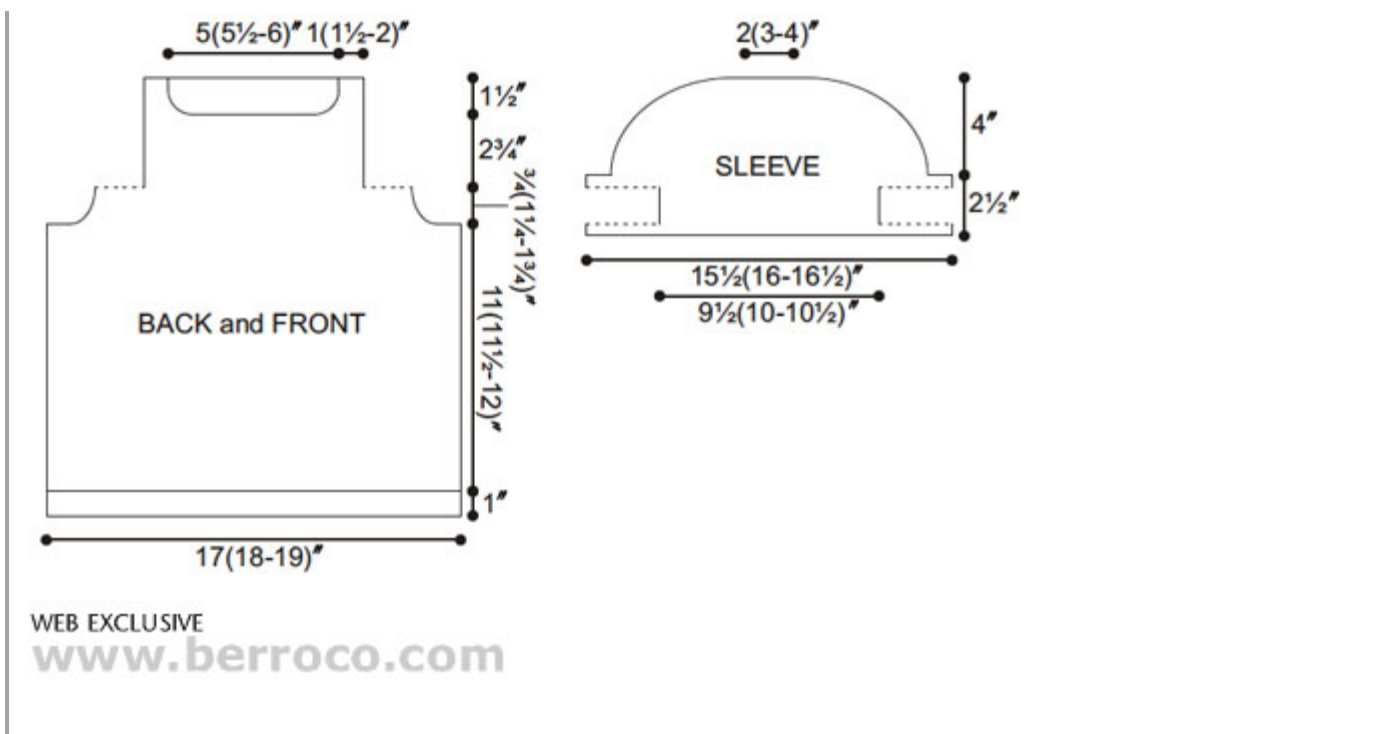
Shape Cap: Bind off 6 sts at beg of the next 2 rows – 71(75-79) sts. Working in St st, dec 1 st each side every RS row 15 times, end on WS – 41(45-49) sts. Bind off 3 sts at beg of the next 2 rows – 35(39-43) sts.

Next Row (RS): K1(2-5), k2 tog 0(2-3) times, k3 tog 11(9-7) times, k2 tog 0(2-3) times, k1(2-5) – 13(17-23) sts. Bind off.

FINISHING

Sew shoulder seams. Sew in sleeves. Sew side and sleeve seams.

Neck Edging: With RS facing, using crochet hook, join yarn at left shoulder seam. Working from left to right, work in Reverse sc around entire neck edge, join with a sl st in first sc. Fasten off.



[Home](#) | [Yarn Shops](#) | [Yarns](#) | [Free KnitBits®](#) | [New This Season](#) | [Free Patterns](#) | [Blog](#) | [Multimedia](#)
[Pattern Corrections](#) | [Abbreviations & Terms](#) | [Links](#) | [Handeze® Glove](#)
[About Us](#) | [Privacy Statement](#) | [FAQs](#) | [Contact Us](#)

Berroco, Inc. 1 Tupperware Dr. Suite 4, N. Smithfield, RI 02896-6815 USA
copyright 2012 Berroco