



fine handknitting yarns

SEARCH

Go

New This Season

Patterns

Yarns

Free KnitBits

Yarn Shops

Quick Links

Blog

Multimedia



FREE KnitBits

Berroco Blog

Email This Page

Enter your email address

Subscribe

>> Preview

RSS

FREE
PATTERNS

Lichen

knit in **Trilogy™** | [color info](#)
Skill level: **Intermediate**[enlarge model](#)[enlarge detail](#)[Schematic](#) | [Stitch Glossary](#)

Yarn used ...

**Trilogy**

Like this pattern? You may also like these patterns from our recent booklets ...

WEB EXCLUSIVE
www.berroco.com

A tailored jacket with interfacings and a little pocket for added detail.

**PDF Pattern Instructions**(If you can't open this PDF file you need Adobe Acrobat Reader. Get it [here.](#))

Shown in size Small

SIZES

Directions are for women's size X-Small. Changes for sizes Small, Medium, Large, 1X and 2X are in parentheses.

FINISHED MEASUREMENTS

Bust (closed) – 34(36-40-44-48-52)''

Length – 24(24-24½-25-25½-26)''

MATERIALS12(13-15-17-19-21) Hanks **BERROCO TRILOGY** (50 grs), #7634 Aberdeen (MC)

1 Ball BERROCO PURE MERINO DK (50 grs), #4576 Coal Tar (A)

1 Hank BERROCO INCA GOLD (50 grs), #6448 Verde Oliva (B)

Straight knitting needles, sizes 7 (4.50 mm) and 9 (5.50 mm) OR SIZE TO OBTAIN GAUGE

Crochet hook, size 4.00 mm (F)

One 1 1/4" button
 One 3/4" button
 2 St holders

GAUGE

17 sts = 4"; 22 rows = 4" in St st with MC on larger needles
 20 sts = 4"; 28 rows = 4" in St st with B on smaller needles
 TO SAVE TIME, TAKE TIME TO CHECK GAUGE

DOUBLE SEED STITCH (Odd number of sts)

Row 1 (RS): K1, * p1, k1, rep from * across.

Row 2: P1, * k1, p1, rep from * across.

Row 3: Rep Row 2.

Row 4: Rep Row 1.

Rep these 4 rows for Double Seed St.

BACK

With smaller needles, using B, cast on 73(81-91-99-109-117) sts.

Bottom Band: Working in Double Seed St, work 1 row B, 2 rows A, 2 rows B, 2 rows A, then 3 rows B (10 rows total), end on WS. Change to larger needles and MC and k the next row, dec 5(5-5-5-6-6) sts across – 68(76-86-94-103-111) sts. Beg with a p row, work even in St st until piece measures 16" from beg, end on WS.

Shape Armholes: Bind off 4(5-6-7-8-9) sts at beg of the next 2 rows – 60(66-74-80-87-93) sts. Dec 1 st each side every RS row 4(5-7-8-9-10) times – 52(56-60-64-69-73) sts. Work even until armholes measure 7(7-7 1/2-8-8 1/2-9)", end on WS.

Shape Shoulders and Neck: Bind off 5(5-5-7-7-7) sts at beg of the next 2 rows, then 4(5-6-6-7-8) sts at beg of the next 4 rows. Bind off remaining 26(26-26-26-27-27) sts for back neck.

LEFT FRONT

With smaller needles, using B, cast on 43(49-53-57-61-65) sts. Work bottom band same as back for 10 rows, end on WS. Change to larger needles and MC and k the next row, dec 3 sts across – 40(46-50-54-58-62) sts. Beg with a p row, work even in St st until piece measures 16" from beg, end on WS.

Shape Armhole: Bind off 4(5-6-7-8-9) sts at beg of the next row – 36(41-44-47-50-53) sts. Work 1 row even. Dec 1 st at armhole edge on next row, then every RS row 3(4-6-7-8-9) times more – 32(36-37-39-41-43) sts. Work even until armhole measures 5 1/2(5 1/2-6-6 1/2-7-7 1/2)", end on RS.

Shape Neck: P13(15-14-14-14-14) sts, then sl these sts onto holder, p to end – 19(21-23-25-27-29) sts. Work 1 row even. Bind off 3 sts at neck edge once, 2 sts once, then dec 1 st at neck edge once. When armhole measures 7(7-7 1/2-8-8 1/2-9)", end on WS. Bind off 5(5-5-7-7-7) sts at armhole edge once, then 4(5-6-6-7-8) sts twice for shoulder.

POCKET LINING

With larger needles, using MC, cast on 13(13-15-15-17-17) sts. Work even in St st for 4", end on RS. Sl sts onto holder.

RIGHT FRONT

Work same as left front until piece measures 5" from beg, end on WS – 40(46-50-54-58-62) sts.

Insert Pocket Lining: Next Row (RS): K17(21-21-23-25-28), bind off 13(13-15-15-17-17) sts, k10(12-14-16-16-17).

Following Row: P10(12-14-16-16-17), p13(13-15-15-17-17) sts from holder, p to end – 40(46-50-54-58-62) sts. Complete to correspond to left front, reversing all shaping. Bind off for armhole on WS row. Work armhole decs at end of RS rows. Bind off for neck on RS rows. Bind off for shoulder on WS rows.

SLEEVES

With smaller needles, using B, cast on 45(45-45-49-49-49) sts. Working in Double Seed St, work 1 row B, 2 rows A, then 2 rows B, then 1 row A (6 rows total), end on WS. Change to larger needles and MC and k the next row, dec 2 sts across – 43(43-43-47-47-47) sts. Beg with a p row, work in St st, dec 1 st each side every RS row 5 times – 33(33-33-37-37-37) sts. Work even until sleeve measures 3" from beg, end on WS. Inc 1 st each side on next row, then every 1 3/4 (1 3/4-1 1/4-1 1/4-1-3/4)" 8(8-10-10-12-14) times more – 51(51-55-59-63-67) sts. Work even until sleeve measures 18 3/4" from beg, end on WS.

Shape Cap: Bind off 4(5-6-7-8-9) sts at beg of the next 2 rows – 43(41-43-45-47-49) sts. Work 0(2-2-2-2-2) rows even. Dec 1 st each end of next row, every 4th row 0(0-1-2-3-4) times, then every RS row 12(11-9-7-5-3) times, end on WS – 17(17-21-25-29-33) sts. Bind off 2 sts at beg of the next 2 rows. Bind off remaining 13(13-17-21-25-29) sts.

FRONT FACINGS (Make 2)

With smaller needles, using B, cast on 17 sts. Work even in St st for $21\frac{1}{2}$ ($21\frac{1}{2}$ - 22 - $22\frac{1}{2}$ - 23 - $23\frac{1}{2}$)", end on WS. Bind off.

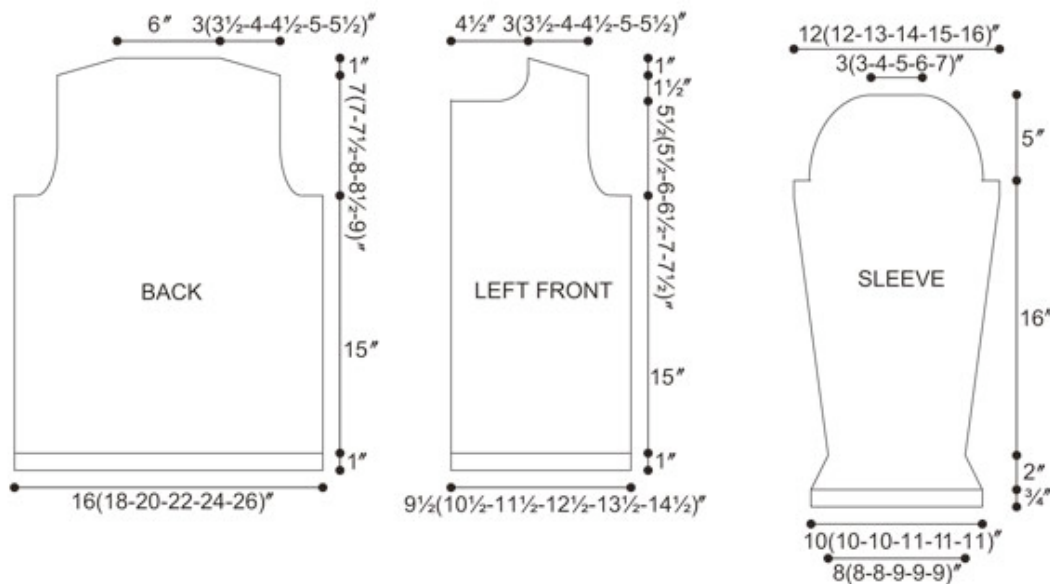
FINISHING

Sew shoulder seams.

Collar: With RS facing, using smaller needles and B, beg at right front edge, k13(15-14-14-14) sts from right holder, increasing 3 sts across, pick up and k17 sts along right front neck edge, 27 sts across back neck edge, 17 sts along left front neck edge, then k13(15-14-14-14) sts from left holder, increasing 3 sts across – 93(97-95-95-95) sts. Beg with Row 2, work in Double Seed St. Work 1 row B, (2 rows A, 2 rows B) 4 times, then 2 rows A, end on WS. With B, knit 4 rows for turning ridges. Working in Double Seed St, work 2 rows A, (2 rows B, 2 rows A) 4 times, then 2 rows B. Bind off. Sew one long edge of each front facing to left and right front edges. Fold collar in half to WS along turning ridges. Sew side edges of collar tog. Sew bound-off edge of collar over top edges of front facings and to front and back neck edges. Sew lower edges of facings to cast-on edges of fronts. Sew edges of pocket facing to WS of right front. With RS facing, using crochet hook and B, work in sc along top edge of pocket. Sew $\frac{3}{4}$ " button to pocket as in photo. With RS facing, using crochet hook and B, work in sc along each front edge, working through double thickness of front and front facing. Sew in sleeves. Sew side and sleeve seams.

Buttonloop: With RS facing, using crochet hook, join B with a sl st to right front edge $1\frac{1}{4}$ " below start of collar. Ch 6, join with a sl st in front at start of collar. Working from left to right, work in Reverse Sc along chain, join with a sl st in first sl st. Fasten off. Sew $1\frac{1}{4}$ " button to base of collar on left front, 3" in from left front edge as in photo.

Ties (Make 2): With smaller needles, using B cast on 60 sts. Knit 1 row, purl 1 row. With A, knit 1 row, purl 1 row; with B, knit 1 row, purl 1 row. With A, knit 1 row. Bind off. Sew cast-on and bound-off edges tog forming a tube. Sew one tie to right front edge 8" up from bottom. Sew the other tie to left front 8" up from bottom and 3" in from left front edge. Lap right front over left front and tie as in photo.



[Home](#) | [Yarn Shops](#) | [Yarns](#) | [Free KnitBits®](#) | [New This Season](#) | [Free Patterns](#) | [Blog](#) | [Multimedia](#)
[Pattern Corrections](#) | [Stitch Glossary](#) | [Links](#) | [Handeze® Glove](#) | [Scarf Central](#)
[About Us](#) | [Privacy Statement](#) | [FAQs](#) | [Contact Us](#)

Berroco, Inc. P.O. Box 367, 14 Elmdale Road, Uxbridge, MA 01569-0367 USA
 copyright 2008 Berroco